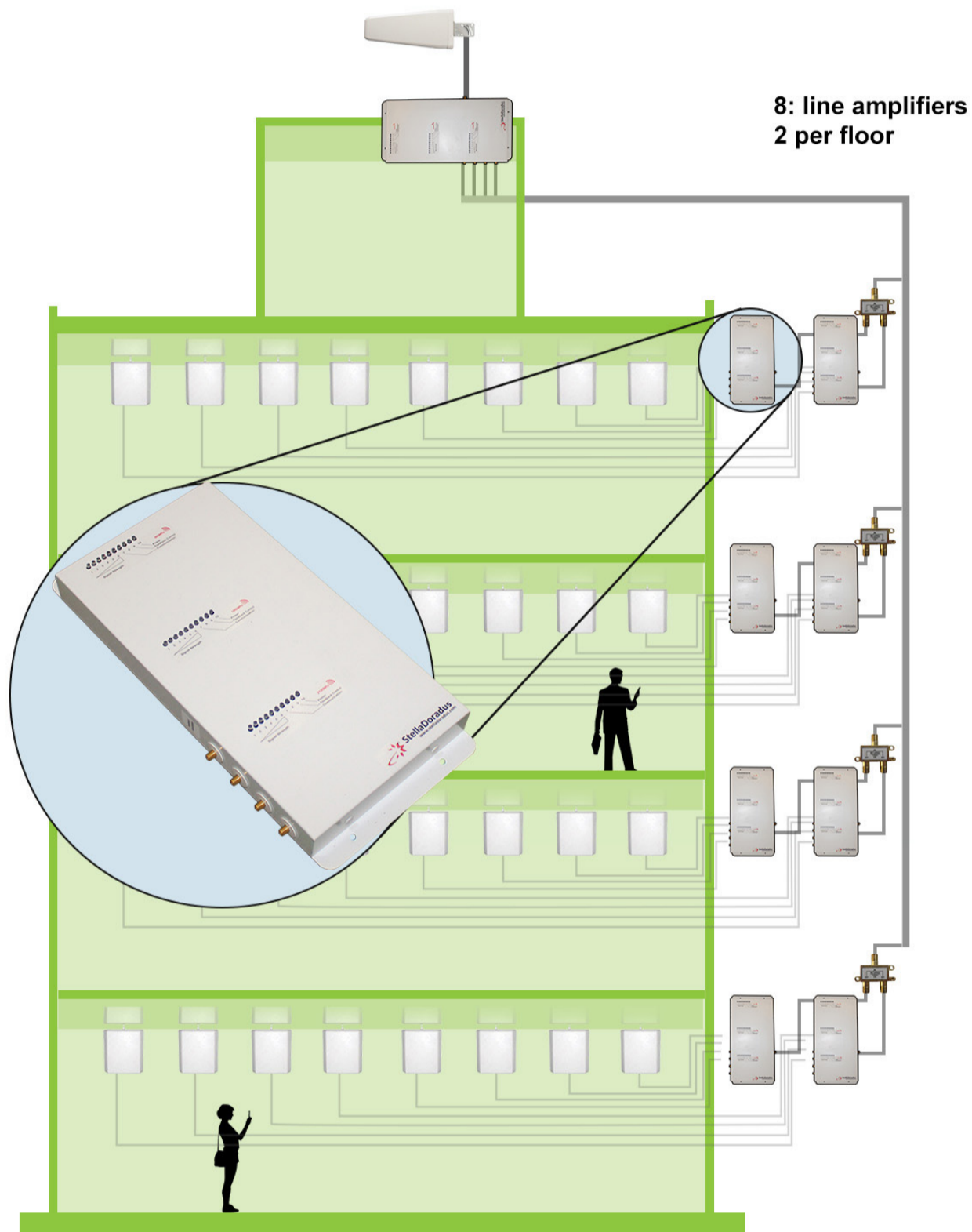


LineAmp_{GDW}



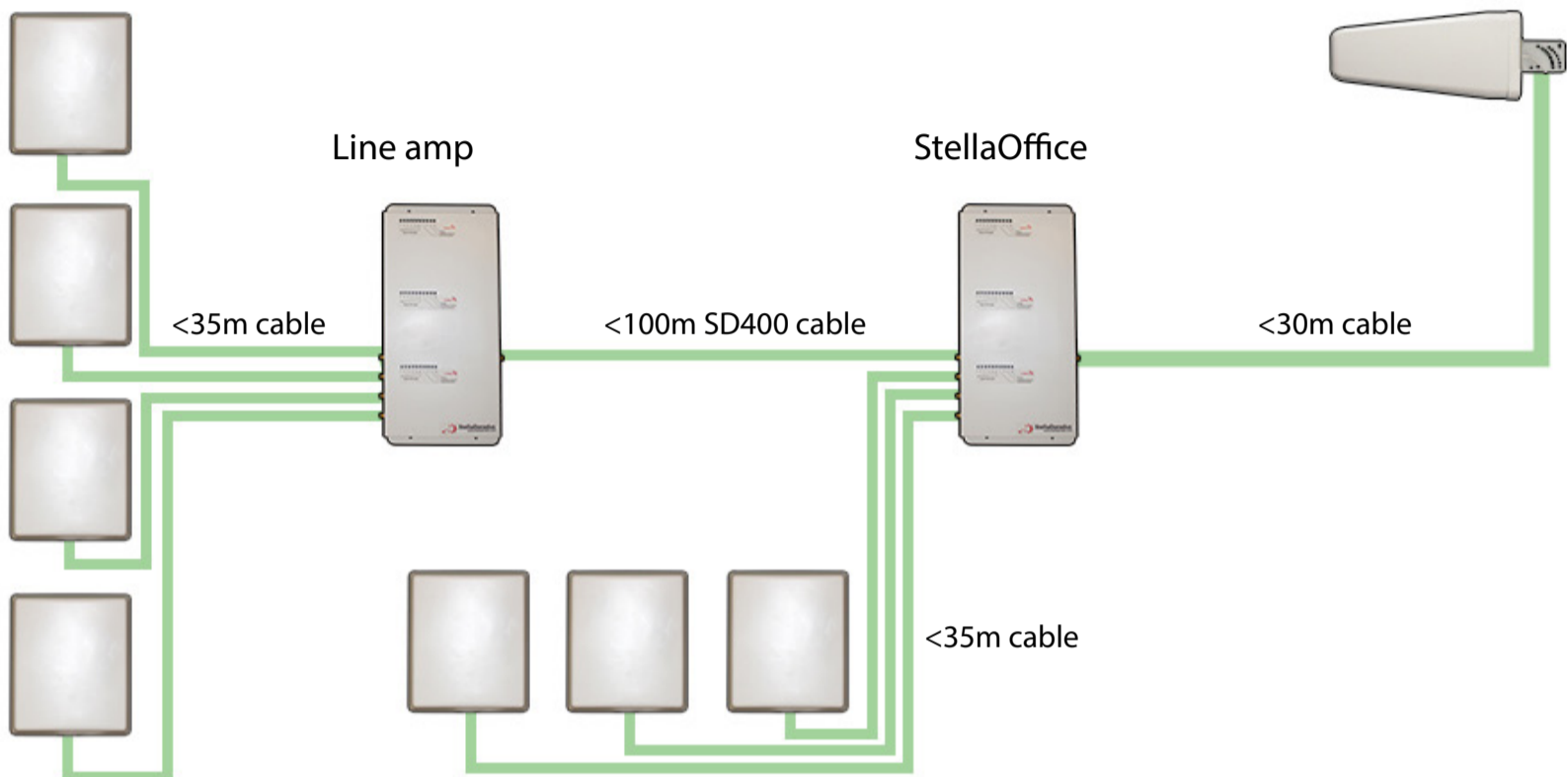
900Mhz + 1800Mhz + 2100Mhz

Do not use StellaDoradus repeaters with non Stelladoradus equipment.

Stelladoradus repeaters operate silently on the operators network. By using our equipment with competitors equipment you break this control system and could potentially harm the operators network. Doing so will void warranty.

LineAmp_{GDW}

Cabling Diagram



Cable rules: (Cable type: SD400)

- Cable from repeater to external antenna: <30Mt
- Cable from repeater to indoor antennas: <35Mt
- Cable from repeater to Line Amplifier: <100Mt
- Cable from Line Amp to indoor antennas: <35Mt



The Stella Doradus Line Amplifier is a 4 port active splitter, with a 20dB gain for use with a mobile phone repeater.

Alternative configuration:

Each line amps has 4x connector ports. Three of the ports can be connected to antennas and the fourth can be connected to another line amp. This allows you to extend the signal further inside large buildings.

The signal is amplified every time it goes through the line amp.

This makes for an easy installation with less repeaters and less cabling.

It is compatible with all European mobile phone operators plus many others globally.

LineAmp_{GDW}

- Model number: 1002-LA-GDW-4
- Frequencies(Mhz): 900Mhz / 1800Mhz / 2100Mhz



Frequency Specifications

Frequency bands(Mhz):	(880-960MHz) + (1710 - 1880MHz) + (1.92 - 2.17GHz)
Gain:	Uplink Gp > 20dB Downlink Gp > 20dB
Pass band ripple:	< 4dB
I/O impedance:	50 ohm/SMA female connector
Max uplink/downlink signal strength:	-25dBm / 10dBm
Ambient Temperature:	-30°C to +70°C
Power supply input:	110 - 240V AC
Power supply output:	12v DC
Oscillation Control	Automatic
Level Control:	Automatic*
Uplink Switch Off	Yes**
AGC Range	30db
Surge protection	SMA connectors DC grounded, 12V DC port MOV protected

Power Supply Specification

AC	100-240V	50-60Hz
DC input	12V	2.2A
Typical power usage		26W

Mechanical Specification

Length	40cm
Width	19cm
Depth	3.5cm
Weight	1.2kg
Mounting	6 x 5mm holes for mounting

* Automatically adjusts during installation. Thereafter, automatically adjusts for seasonal variation in pathloss between Basestation and Outdoor Antenna.

** The uplink amplifiers switch off when the repeater is not in use, thus reducing the uplink noise to almost zero. When the repeater is in use (eg phone call being made), the uplink amplifier switches on for the duration of the call and a blue LED switches on indicating this is the case.

Note: Specifications subject to change without notice.